



# PHILCO

## Radio Service Bulletin No. 35A

Published by the Philco Radio & Television Corporation of Great Britain, Ltd., Perivale, Greenford, Middlesex

### MODEL 803 — 6 Volts.

The Model 803 is similar in most respects to the Model 803T which is dealt with in Radio Service Bulletin No. 35, and this bulletin should be read in conjunction with it.

The differences are as follows:—

#### VALVES USED.

Valve Type.	Position.
39/44E.	H.F. Amplifier.
6A7	1st Detector and Oscillator.
39/44E.	I.F. Amplifier.
75	2nd Detector, A.V.C. and 1st L.F. Amplifier.
41E.	Quiescent Pentode Output.
84	Full Wave Rectifier.

The top chassis lay-out and alignment procedure is the same as for Model 803T.

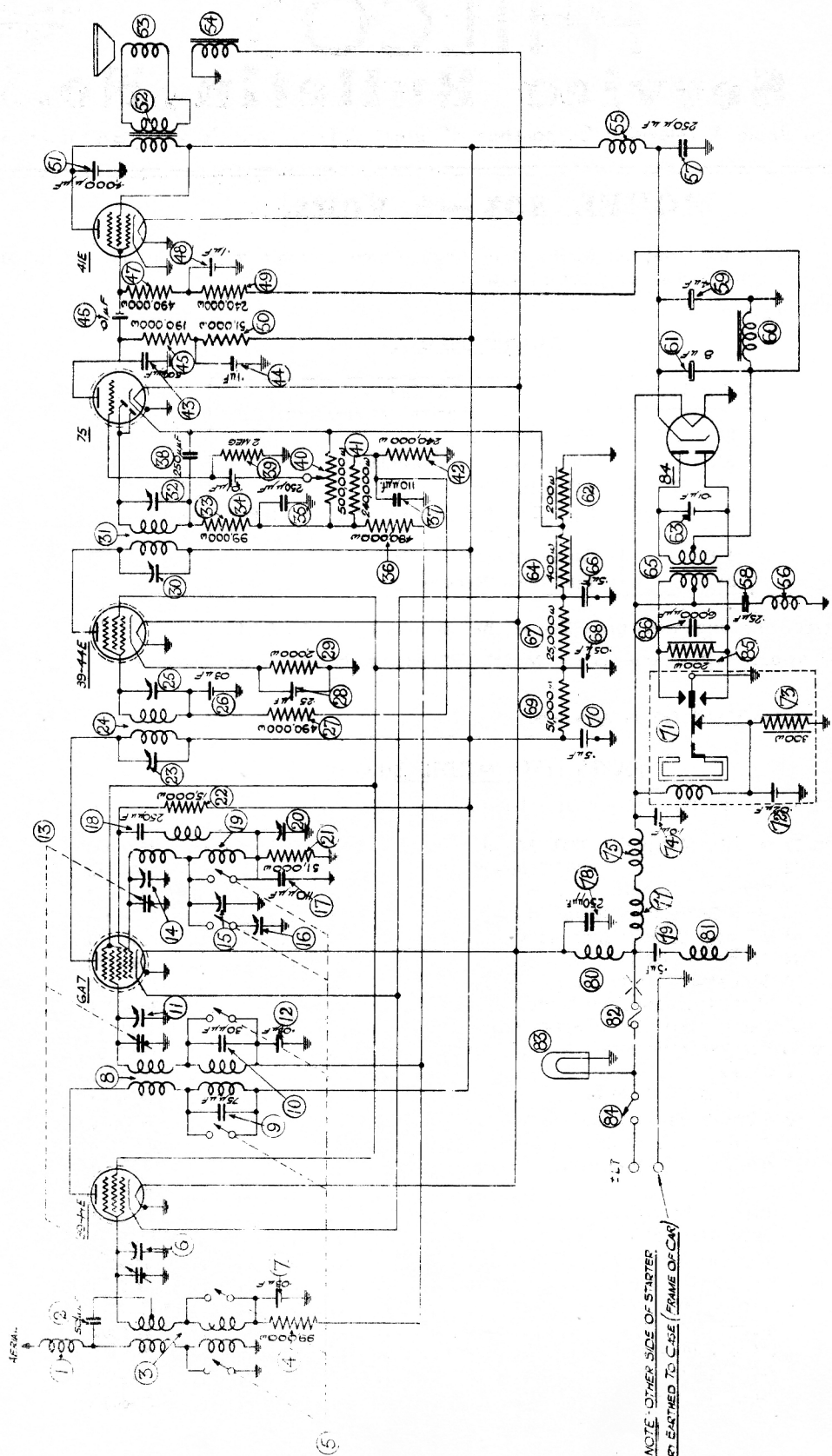
The under chassis lay-out is the same as for Model 803T except that items numbered 56, 58, and 76, and 78 are omitted.

A circuit diagram of the Model 803 is appended.

#### PARTS LIST — MODEL 803

This is the same as for Model 803T except as follows:—

<i>Delete</i>	Item 53 Speaker, Complete, 803T Model .. .. .	360-1003
	"   53   "   "   1803T Model .. .. .	360-1015
	"   56 Choke, 803T only .. .. .	32-1606
	"   58 Mica Condenser, 50 mmfd. .. .. .	300-1003
	"   65 Vibrator Transformer, 12 v. .. .. .	32-7375
	"   74 Condenser, 0.5 mfd. .. .. .	30-4227
	"   76 Condenser, 1 mfd. .. .. .	300-4006
	"   87 Mica Condenser, 250 mmfd. .. .. .	300-1014
	"   85 Resistor, 800 ohms (Spaghetti) .. .. .	33-3022
<i>Add</i>	Item 53 Speaker, Complete .. .. .	360-1001
	"   56 Choke .. .. .	32-1372
	"   58 Condenser, .25 mfd. .. .. .	30-4146
	"   65 Vibrator Transformer, 6 v. .. .. .	32-7352
	"   74 Condenser, 1 mfd. .. .. .	300-4006
	"   85 Resistor, 200 ohms (Spaghetti) .. .. .	7217
	Grid Clip .. .. .	28-2214
	Type 75 Valve .. .. .	8002
	Type 41E Valve .. .. .	6446E.
	Type 84 Valve .. .. .	34-2001
	Type 6A7 Valve .. .. .	34-2002
	Type 39/44E Valve .. .. .	34-2025E.
	4-Prong Socket .. .. .	27-8006
	5-Prong Socket .. .. .	27-6035
	6-Prong Socket .. .. .	27-6036
	7-Prong Socket .. .. .	27-6037



NOTE - OTHER SIDE OF STARTER BATTERY BATHED TO CASE (FRAME OF CAR)

CIRCUIT SCHEMATIC - MODEL 803